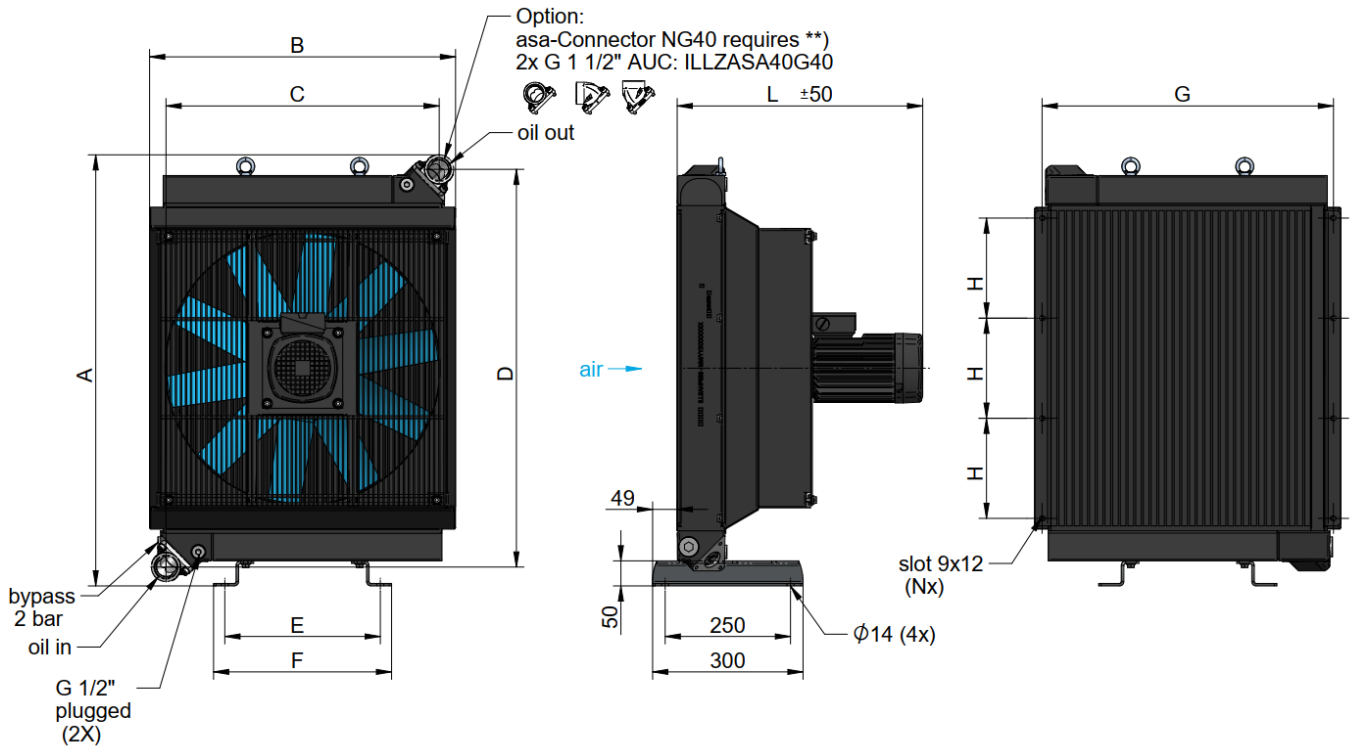


# Oil / Air Cooler

## Special Ranges, AHP Series

### hydraulic drive 11 cm<sup>3</sup>



## Dimensions

order number	description	A	B	C **	D**	E	F	G	H	N	L
		[mm]	[mm]	[mm]	[mm]	[mm]	[mm]	[mm]	[mm]		[mm]
ASAH307AA64BP	AHP 30 230/400V 0,18kW Bypass	760	472	377	695	200	245	440	150	8	465
ASAH307AA44BP	AHP 30 230/400V 0,25kW Bypass	760	472	377	695	200	245	440	150	8	465
ASAH367AA66BP	AHP 36 230/400V 0,37kW Bypass	860	610	543	795	310	355	581	200	8	490
ASAH367AA47BP	AHP 36 230/400V 0,75kW Bypass	860	610	543	795	310	355	581	200	8	490
ASAH427AA66BP	AHP 42 230/400V 0,37kW Bypass	1010	610	545	945	310	355	581	175	10	490
ASAH427AA47BP	AHP 42 230/400V 0,75kW Bypass	1010	610	545	945	310	355	581	175	10	490
ASAH427AA4ABP	AHP 42 230/400V 2,20kW Bypass	1010	610	545	945	310	355	581	175	10	575

## Technical Data

order number	description	power	current	motor size	protection	rotation	air flow	noise level	weight
		[kW]	[A]			[rpm]	[kg/s]	[dB(A)]	[kg]
ASAH307AA64BP	AHP 30 230/400V 0,18kW Bypass	0,18	0,80	71	IP 55	920	0,71	61	44,2
ASAH307AA44BP	AHP 30 230/400V 0,25kW Bypass	0,25	0,73	71	IP 55	1395	1,16	73	43,6
ASAH367AA66BP	AHP 36 230/400V 0,37kW Bypass	0,37	1,17	80	IP 55	935	1,22	69	60,6
ASAH367AA47BP	AHP 36 230/400V 0,75kW Bypass	0,75	1,70	80	IP 55	1450	1,97	81	63,3
ASAH427AA66BP	AHP 42 230/400V 0,37kW Bypass	0,37	1,17	80	IP 55	950	1,37	74	70,3
ASAH427AA47BP	AHP 42 230/400V 0,75kW Bypass	0,75	1,7	80	IP 55	1450	2,18	83	73,0
ASAH427AA4ABP	AHP 42 230/400V 2,20kW Bypass	2,20	4,8	100	IP 55	1450	3,34	84	96,1

This data sheet and the corresponding scale drawings are to be used as a general guideline and technical overview of our products. Please contact us if more exact information is needed. As we are constantly improving our products, their characteristics, dimensions and weights may also change, although we do our best to incorporate these changes continually. asa assumes no liability for any information therein, any errors, omissions, misprints, nor any direct or indirect damages, losses or costs resulting therefrom. Any cooling performances and general technical values indicated in this catalogue are measured at a test bench according to asa testing procedures or calculated, based on such tests. They represent a basis for your product selection. Due to different conditions in testing and application environments the performance may also vary by +/- 15%. All sound values are determined in accordance with ISO 9614-2, DIN EN ISO 11203 accuracy class 3 or Machinery Directive 2006/42/EG and are A-rated. At some of the performance data, possible differences to competition data are possible. The reason to that are no existing standardized testing procedures on individual subjects, e.g. for cooling performance measurements. Therefore, we recommend all products to be checked under the system operating conditions. This is also true of vibrations and mechanical stress as well as for pressure peaks and thermal stress and any other relevant factors. General tolerances according to DIN ISO 2768-vL. General tolerances for casted parts according EN ISO 8062-3 (DCTG 10). Tolerances for rubber parts are according to ISO 3302-1 (class M4-F+C). The tolerances of welding seams are defined by quality group D according to EN ISO 10042, if it is not specified on the actual scale drawing or data sheet. Any form of liability is excluded for the information included in this datasheet. All details and calculation values are checked to the best of our ability, but these do not ensure any intrinsic product properties; due to the wide-ranging possible applications, it is advised that all technical data herewith included be confirmed through testing carried out by the end-user. asa technology Produktions- und Vertriebs GmbH reserves the right to modify the product without any separate notification. This refers to both technical data and the product itself. Furthermore, it is herewith specified that the datasheet does not substitute the corresponding scale drawings, assembly and installation guidelines, nor the operating instructions.

DD-ASAH-serie-Katalog-Homepage-en-rev0 © asa technology, July 2022 1/4

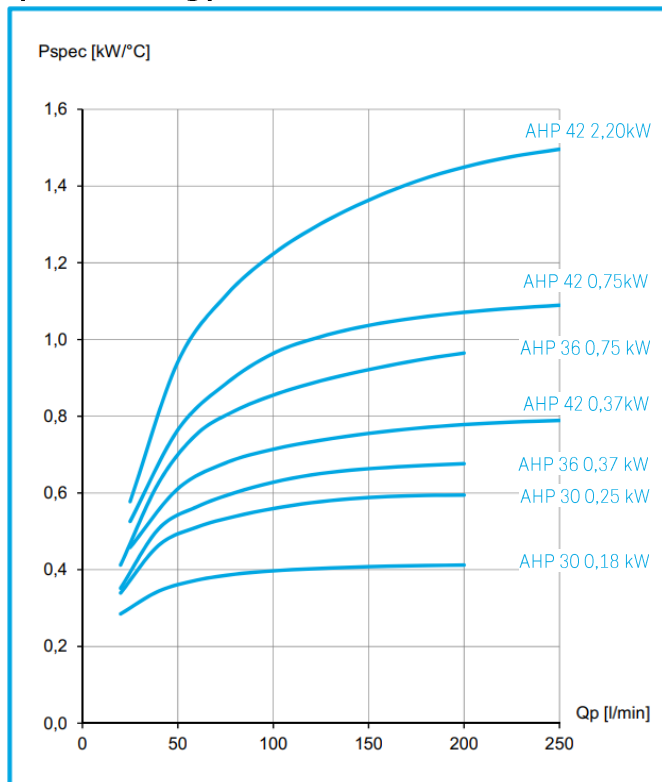
# Oil / Air Cooler

## Special Ranges, AHP Series

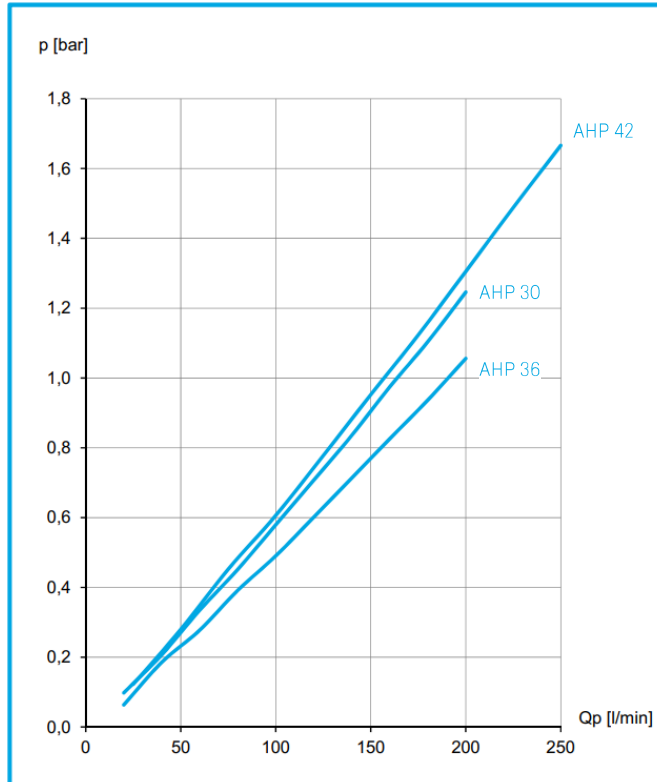
### hydraulic drive 11 cm<sup>3</sup>



#### specific cooling performance



#### pressure drop at 30cst



#### Radiator

material:	aluminium
working temperature range:	-20°C to +80°C (oil temperature)*
air fin shape:	wavy
working pressure:	26 bar (static)

#### Options

temperature switches	ILLZTH5069K, ILLZTH6069K, ILLZTH9069K
internal bypass	alternative bypass settings (0,5 bar / 4 bar)

#### Installation System (\*\*...scale drawing shows ILLZASA40G40 measurements, only!)

connection BSP 1 ¼"	ILLZASA32G32 (2 pcs per cooler required)
connection BSP 1 ½"	ILLZASA40G40 (2 pcs per cooler required)

\*...in combination with NBR sealings on the connectors. Maximum temperature of the cooler alone is 120°C.

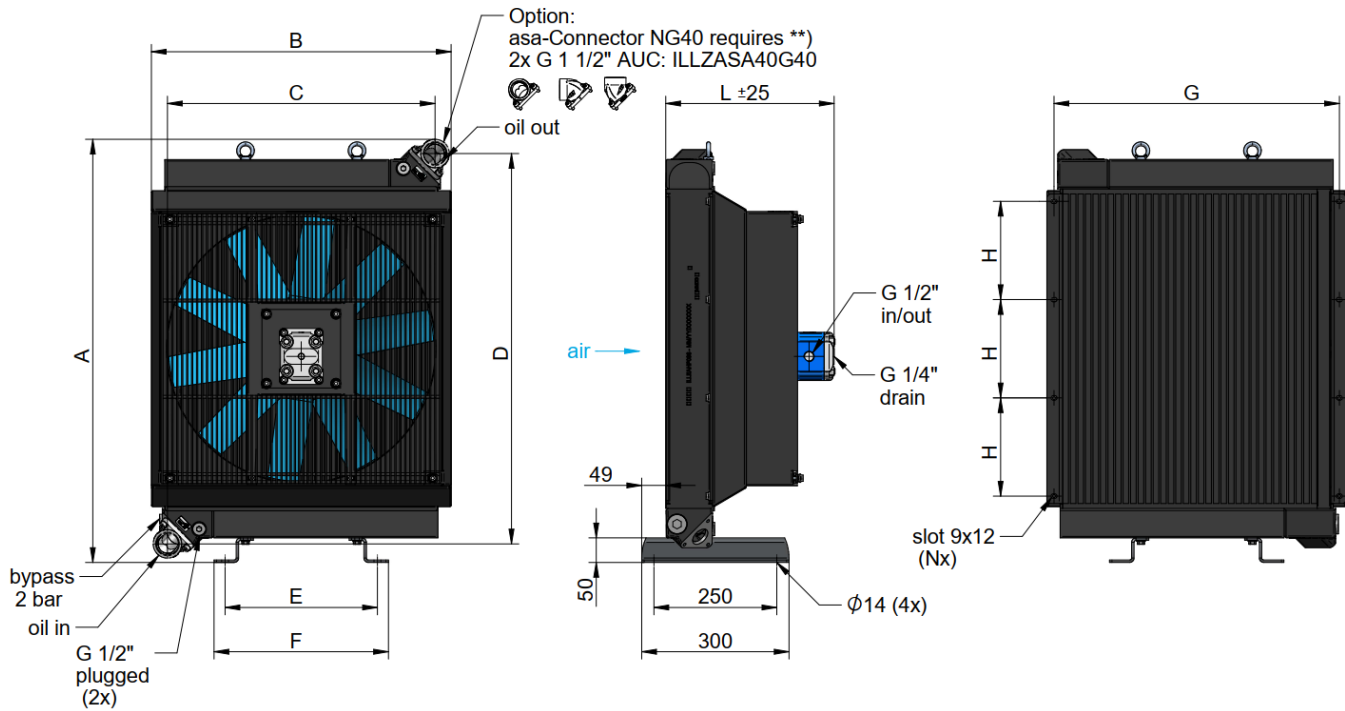


This data sheet and the corresponding scale drawings are to be used as a general guideline and technical overview of our products. Please contact us if more exact information is needed. As we are constantly improving our products, their characteristics, dimensions and weights may also change, although we do our best to incorporate these changes continually. asa assumes no liability for any information therein, any errors, omissions, misprints, nor any direct or indirect damages, losses or costs resulting therefrom. Any cooling performances and general technical values indicated in this catalogue are measured at a test bench according to asa testing procedures or calculated, based on such tests. They represent a basis for your product selection. Due to different conditions in testing and application environments the performance may also vary by +/- 15%. All sound values are determined in accordance with ISO 9614-2, DIN EN ISO 11203 accuracy class 3 or Machinery Directive 2006/42/EG and are A-rated. At some of the performance data, possible differences to competition data are possible. The reason to that are no existing standardized testing procedures on individual subjects, e.g. for cooling performance measurements. Therefore, we recommend all products to be checked under the system operating conditions. This is also true of vibrations and mechanical stress as well as for pressure peaks and thermal stress and any other relevant factors. General tolerances according to DIN ISO 2768-vL. General tolerances for casted parts according EN ISO 8062-3 (DCTG 10). Tolerances for rubber parts are according to ISO 3302-1 (class M4-F+C). The tolerances of welding seams are defined by quality group D according to EN ISO 10042, if it is not specified on the actual scale drawing or data sheet. Any form of liability is excluded for the information included in this datasheet. All details and calculation values are checked to the best of our ability, but these do not ensure any intrinsic product properties: due to the wide-ranging possible applications, it is advised that all technical data herewith included be confirmed through testing carried out by the end-user. asa technology Produktions- und Vertriebs GmbH reserves the right to modify the product without any separate notification. This refers to both technical data and the product itself. Furthermore, it is herewith specified that the datasheet does not substitute the corresponding scale drawings, assembly and installation guidelines, nor the operating instructions.  
DD-ASA-serie-Katalog-Homepage-en-rev0 © asa technology, July 2022 2/4

# Oil / Air Cooler

## Special Ranges, AHP Series

### hydraulic drive 11 cm<sup>3</sup>



## Dimensions

order number	description	A	B	C	D	E	F	G	H	N	L
		[mm]	[mm]	[mm]	[mm]	[mm]	[mm]	[mm]	[mm]		[mm]
ASAH307AH11BP	AHP 30, 11cm <sup>3</sup> Hydromotor bypass	760	472	377	695	200	245	440	150	8	343
ASAH367AH11BP	AHP 36, 11cm <sup>3</sup> Hydromotor bypass	860	610	543	795	310	355	581	200	8	343
ASAH427AH11BP	AHP 42, 11cm <sup>3</sup> Hydromotor bypass	1010	610	545	945	310	355	581	175	10	395

## Technical Data

order number	description	motor power	oil pressure	oil flow	rotation	air flow	noise level	weight
		[kW]	[bar]	[lpm]	[rpm]	[kg/s]	[dB(A)]	[kg]
ASAH307AH11BP	AHP 30 11cm <sup>3</sup> Hydromotor bypass	0,08	4	11,6	1000	0,77	63	40,6
		0,65	19	23,2	2000	1,64	82	
		2,22	43	34,7	3000	2,49	92	
ASAH367AH11BP	AHP 36 11cm <sup>3</sup> Hydromotor bypass	0,15	7	11,6	1000	1,32	70	52,8
		1,18	34	23,2	2000	2,77	89	
		4,00	77	34,7	3000	4,19	99	
ASAH427AH11BP	AHP 42 11cm <sup>3</sup> Hydromotor bypass	0,48	22	11,6	1000	2,23	74	64,2
		3,95	114	23,2	2000	4,67	92	
		13,3	255	34,7	3000	7,03	103	

This data sheet and the corresponding scale drawings are to be used as a general guideline and technical overview of our products. Please contact us if more exact information is needed. As we are constantly improving our products, their characteristics, dimensions and weights may also change, although we do our best to incorporate these changes continually. asa assumes no liability for any information therein, any errors, omissions, misprints, nor any direct or indirect damages, losses or costs resulting therefrom. Any cooling performances and general technical values indicated in this catalogue are measured at a test bench according to asa testing procedures or calculated, based on such tests. They represent a basis for your product selection. Due to different conditions in testing and application environments the performance may also vary by +/- 15%. All sound values are determined in accordance with ISO 9614-2, DIN EN ISO 11203 accuracy class 3 or Machinery Directive 2006/42/EG and are A-rated. At some of the performance data, possible differences to competition data are possible. The reason to that are no existing standardized testing procedures on individual subjects, e.g. for cooling performance measurements. Therefore, we recommend all products to be checked under the system operating conditions. This is also true of vibrations and mechanical stress as well as for pressure peaks and thermal stress and any other relevant factors. General tolerances according to DIN ISO 2768-vL. General tolerances for casted parts according EN ISO 8062-3 (DCTG 10). Tolerances for rubber parts are according to ISO 3302-1 (class M4-F+C). The tolerances of welding seams are defined by quality group D according to EN ISO 10042, if it is not specified on the actual scale drawing or data sheet. Any form of liability is excluded for the information included in this datasheet. All details and calculation values are checked to the best of our ability, but these do not ensure any intrinsic product properties; due to the wide-ranging possible applications, it is advised that all technical data herewith included be confirmed through testing carried out by the end-user. asa technology Produktions- und Vertriebs GmbH reserves the right to modify the product without any separate notification. This refers to both technical data and the product itself. Furthermore, it is herewith specified that the datasheet does not substitute the corresponding scale drawings, assembly and installation guidelines, nor the operating instructions.

DD-ASAH-serie-Katalog-Homepage-en-rev0 © asa technology, July 2022 3/4

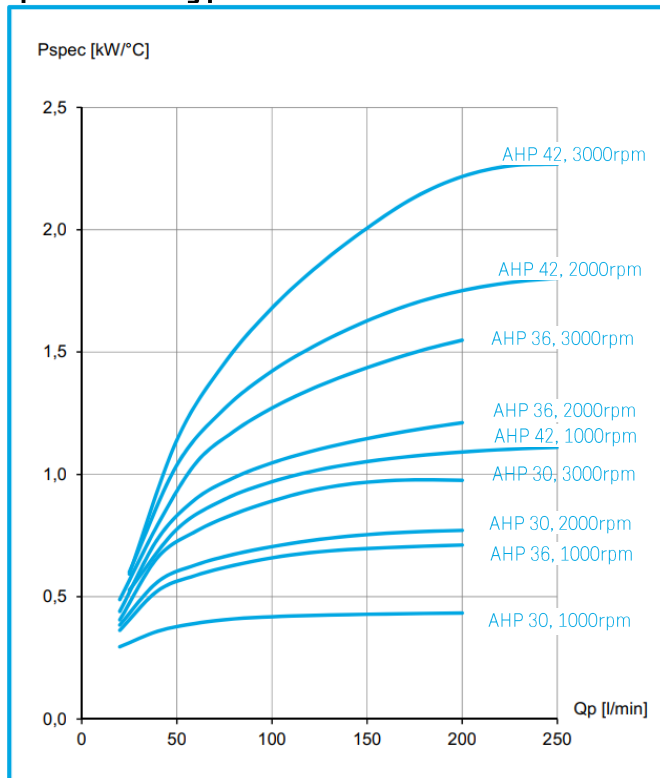
# Oil / Air Cooler

## Special Ranges, AHP Series

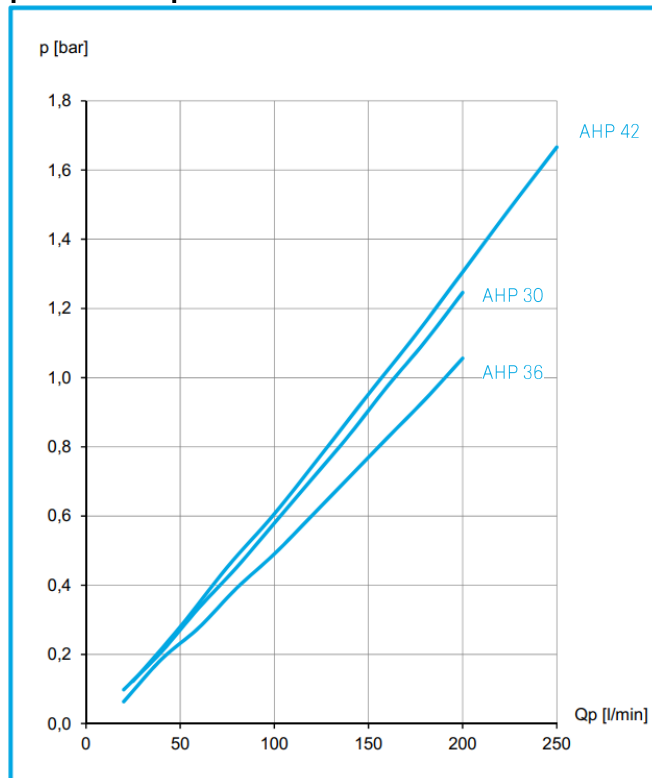
### hydraulic drive 11 cm<sup>3</sup>



#### specific cooling performance



#### pressure drop at 30cst



#### Radiator

material:	aluminium
working temperature range:	-20°C to +80°C (oil temperature)*
air fin shape:	wavy
working pressure:	26 bar (static)

#### Options

temperature switches	ILLZTH5069K, ILLZTH6069K, ILLZTH9069K
internal bypass	alternative bypass settings (0,5 bar / 4 bar)

#### Installation System (\*\*...scale drawing shows ILLZASA40G40 measurements, only!)

connection BSP 1 ¼"	ILLZASA32G32 (2 pcs per cooler required)
connection BSP 1 ½"	ILLZASA40G40 (2 pcs per cooler required)

\*...in combination with NBR sealings on the connectors. Maximum temperature of the cooler alone is 120°C.



This data sheet and the corresponding scale drawings are to be used as a general guideline and technical overview of our products. Please contact us if more exact information is needed. As we are constantly improving our products, their characteristics, dimensions and weights may also change, although we do our best to incorporate these changes continually. asa assumes no liability for any information therein, any errors, omissions, misprints, nor any direct or indirect damages, losses or costs resulting therefrom. Any cooling performances and general technical values indicated in this catalogue are measured at a test bench according to asa testing procedures or calculated, based on such tests. They represent a basis for your product selection. Due to different conditions in testing and application environments the performance may also vary by +/- 15%. All sound values are determined in accordance with ISO 9614-2, DIN EN ISO 11203 accuracy class 3 or Machinery Directive 2006/42/EG and are A-rated. At some of the performance data, possible differences to competition data are possible. The reason to that are no existing standardized testing procedures on individual subjects, e.g. for cooling performance measurements. Therefore, we recommend all products to be checked under the system operating conditions. This is also true of vibrations and mechanical stress as well as for pressure peaks and thermal stress and any other relevant factors. General tolerances according to DIN ISO 2768-vL. General tolerances for casted parts according to EN ISO 8062-3 (DCTG 10). Tolerances for rubber parts are according to ISO 3302-1 (class M4-F+C). The tolerances of welding seams are defined by quality group D according to EN ISO 10042, if it is not specified on the actual scale drawing or data sheet. Any form of liability is excluded for the information included in this datasheet. All details and calculation values are checked to the best of our ability, but these do not ensure any intrinsic product properties; due to the wide-ranging possible applications, it is advised that all technical data herewith included be confirmed through testing carried out by the end-user. asa technology Produktions- und Vertriebs GmbH reserves the right to modify the product without any separate notification. This refers to both technical data and the product itself. Furthermore, it is herewith specified that the datasheet does not substitute the corresponding scale drawings, assembly and installation guidelines, nor the operating instructions.  
 DD-ASAH-serie-Katalog-Homepage-en-rev0 © asa technology, July 2022 4/4