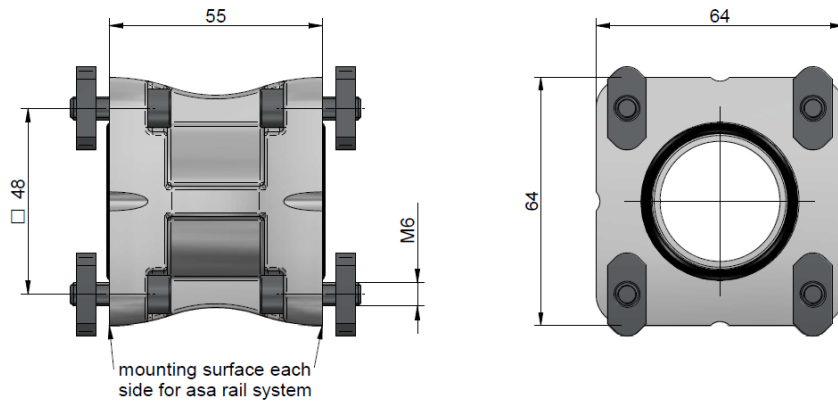


Thermal Systems Duplex Rail Connector



The new Duplex rail connector can be used to easily connect our TT rail coolers in series, extending the performance of the series, and adding new dimensional options within our current performance ranges. This versatile system also simplifies the documentation and logistics for both the OEM and end user (e.g. manuals, spare part lists,...). Contact us to discover the full potential and available options for this system, support@asahydraulik.com.



Technical Data

order number	description	connector material	o-ring	weight
				[kg]
ILLZSET5032K	connector TT rail duplex kit	aluminium	NBR, 35 x 3 mm	0,80

Content

connector	2x
o-ring	4x
screw M6x20	16x
slot nut	16x

Fits On Cooler Type

TT 05, 07, 11, 13, 16, 21, 25, 36



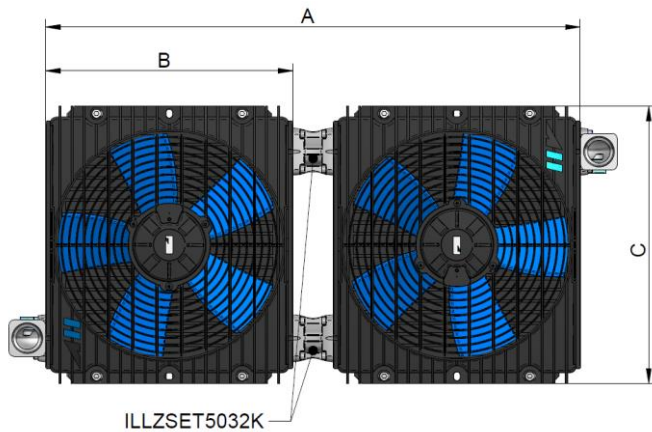
Typical connection application:

requires
2 x Standard Rail system coolers
1 x ILLZSETSG25
1 x ILLZSET5032K

Thermal Systems Duplex Rail Connector

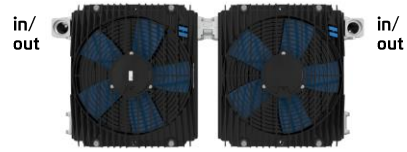


Typical configuration to connect 2 oil/air coolers with DC drive.



Other possible configurations

2x ASATT11RD02 + 1x Duplex Connector Set + Connectors



2x ASATT11RD02BP(Bypass) + 1x Duplex Connector Set + Connectors



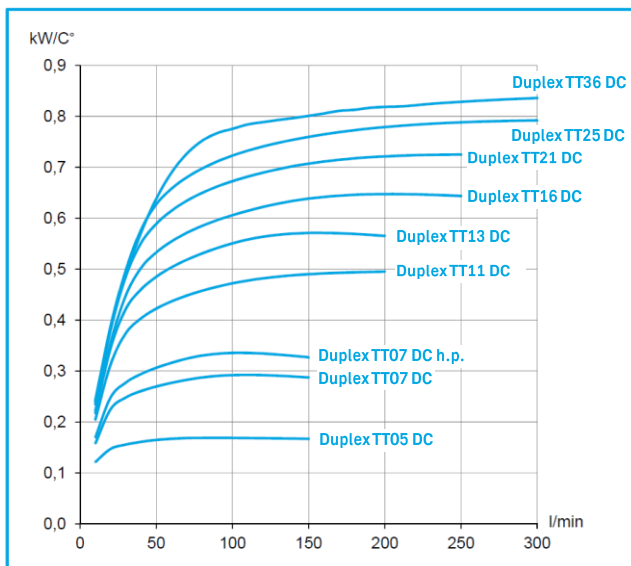
3x ASATT11RD02 + 2x Duplex Connector Set + Connectors



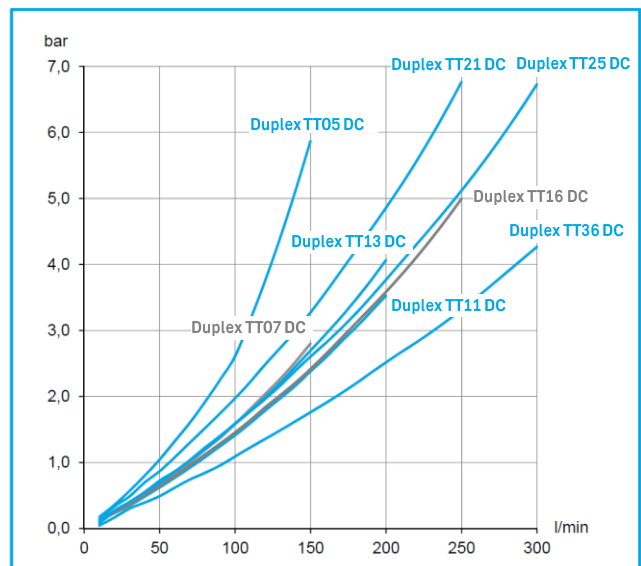
Duplex Rail configuration	A	B	C	weight
	[mm]	[mm]	[mm]	[kg]
2 x ASATT05GD02 + ILLZSET5032K + connector set	525	235	245	9,4
2 x ASATT07RD02 + ILLZSET5032K + connector set	655	300	320	13,8
2 x ASATT07RD04 + ILLZSET5032K + connector set	655	300	320	13,8
2 x ASATT11RD02 + ILLZSET5032K + connector set	735	340	380	19,2
2 x ASATT13RD02 + ILLZSET5032K + connector set	895	420	410	24,8
2 x ASATT16RD02 + ILLZSET5032K + connector set	985	465	460	30,6
2 x ASATT21RD02 + ILLZSET5032K + connector set	1265	605	462	39,6
2 x ASATT25RD02 + ILLZSET5032K + connector set	1265	605	555	46,2
2 x ASATT36RD02 + ILLZSET5032K + connector set	1265	605	730	65,2

Performance

specific cooling performance



pressure drop



Please contact us for other performances, e.g. AC drive or hydraulic fan drive.

This data sheet and the corresponding scale drawings are to be used as a general guideline and technical overview of our products. Please contact us if more exact information is needed. As we are constantly improving our products, their characteristics, dimensions and weights may also change, although we do our best to incorporate these changes continually. asa assumes no liability for any information therein, any errors, omissions, misprints, nor any direct or indirect damages, losses or costs resulting therefrom. Any cooling performances and general technical values indicated in this catalogue are measured at a test bench according to asa testing procedures or calculated, based on such tests. Due to different conditions in testing and application environments the performance may also vary by +/- 15%. Because there is no standardized testing procedure, tests used by other manufacturers could have different results. Therefore we recommend all products to be checked under the system operating conditions. This is also true for vibrations and mechanical stress as well as for pressure peaks and thermal stress and any other relevant factors. General tolerances according to DIN ISO 2768-mS. General tolerances for casted parts according EN ISO 8062-3 (DCTG 10). Tolerances for rubber parts are according to ISO 3302-1 (class M4-F+C). The tolerances of welding seams are defined by quality group D according to EN ISO 10042, if it is not specified on the actual scale drawing or data sheet. In addition to that we point out that any data sheet and corresponding scale drawing is no substitution for the manual.