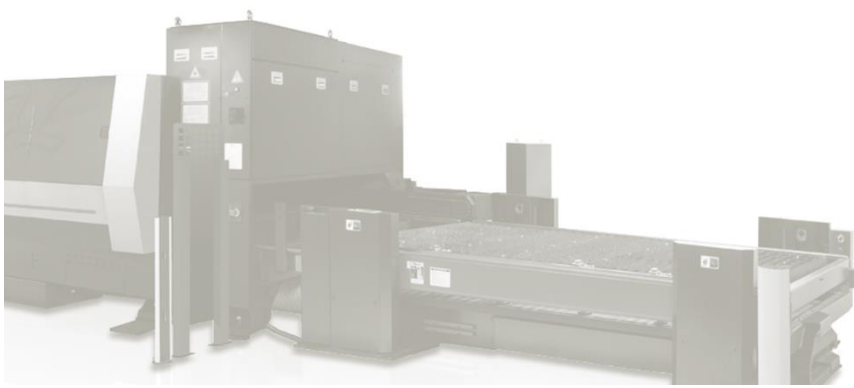
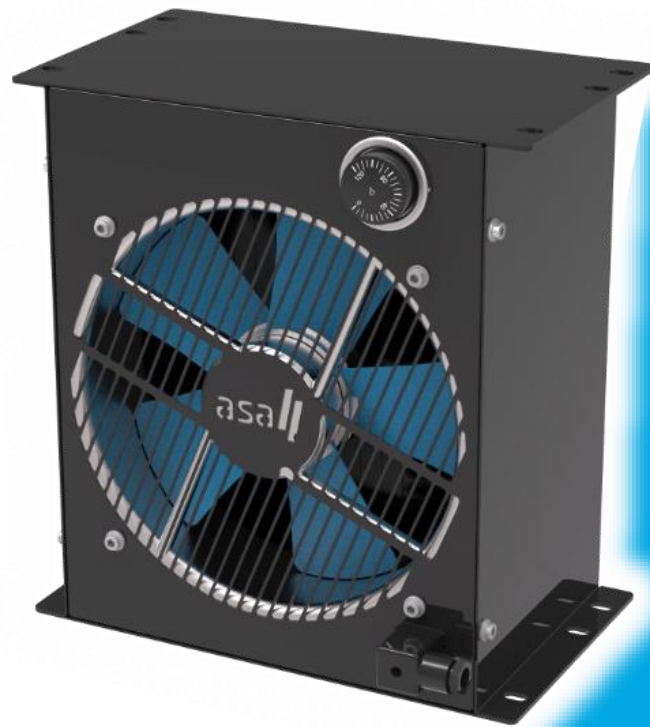




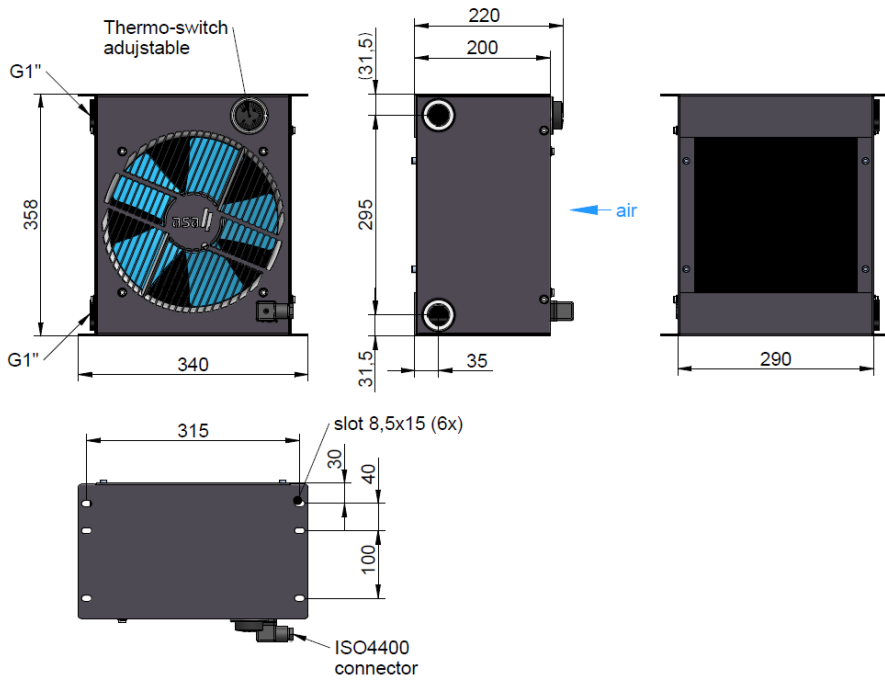
Thermal Systems

Special Range/AS Serie

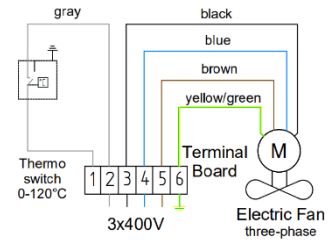
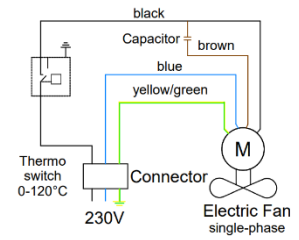
Oil/Air Cooler AS300/AS300-2



**be different.
make a difference.**



Electric Connection:



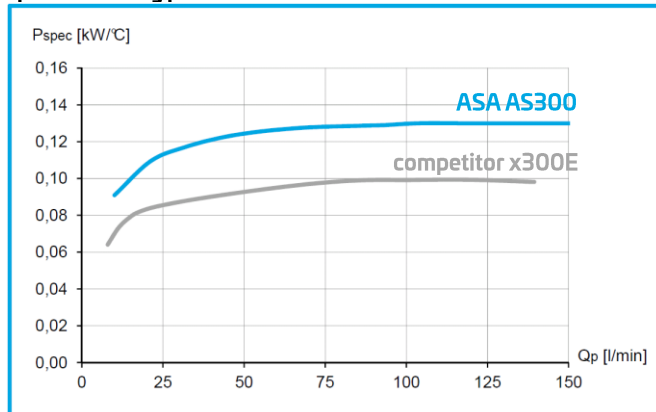
Technical Data

order number	description	current	motor power	protection level	rotation	air flow	noise level	weight
		[A]	[kW]		[rpm]	[kg/s]	[db(A)]	[kg]
ILLCO0603B00	AS300 230V 2-pol AC	0,35	0,09	IP 44	2530	0,33	69	12,9 kg
ILLCO0604B00	AS300 3x400V 2-pol AC	0,17	0,08	IP 44	2650	0,33	69	12,9 kg

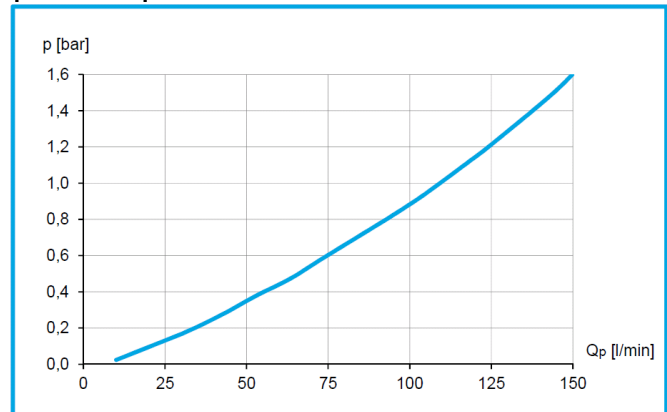
Performance

The performances in this catalogue have been verified on a test bench according to asa test procedures. The parameters and test conditions are equal to competitor and the corresponding asa product.

specific cooling performance



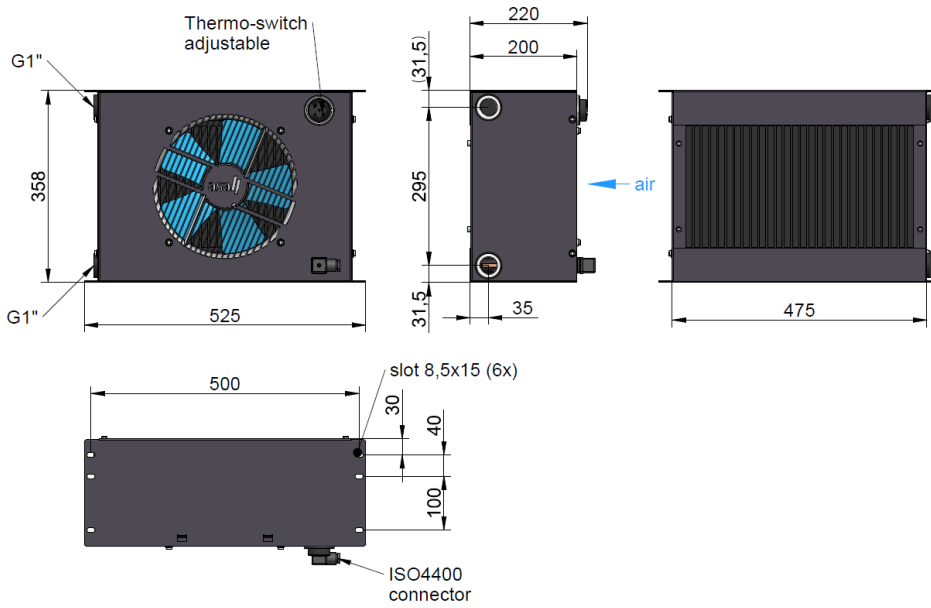
pressure drop at 30cSt



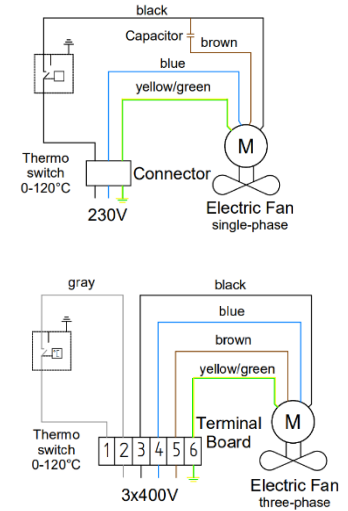
Radiator

material:	aluminium
working temperature range:	-20°C to +100°C (oil temperature)
air fin shape:	wavy
working pressure:	26 bar (static)





Electric Connection:



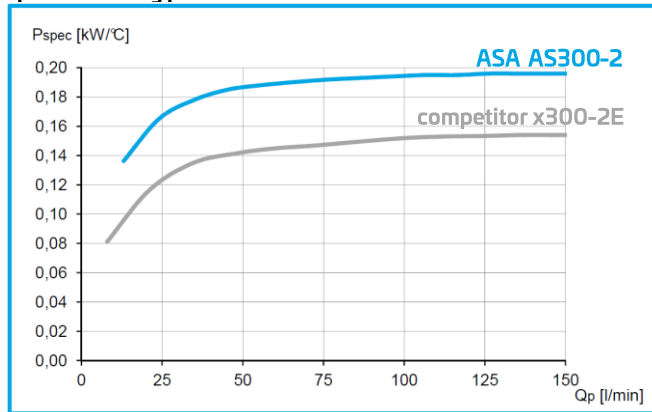
Technical Data

order number	description	current	motor power	protection level	rotation	air flow	noise level	weight
		[A]	[kW]		[rpm]	[kg/s]	[db(A)]	[kg]
ILLCO1003B00	AS300-2 230V 2-pol AC	0,35	0,09	IP 44	2530	0,41	68	17,9
ILLCO1004B00	AS300-2 3x400V 2-pol AC	0,17	0,08	IP 44	2650	0,41	68	17,9

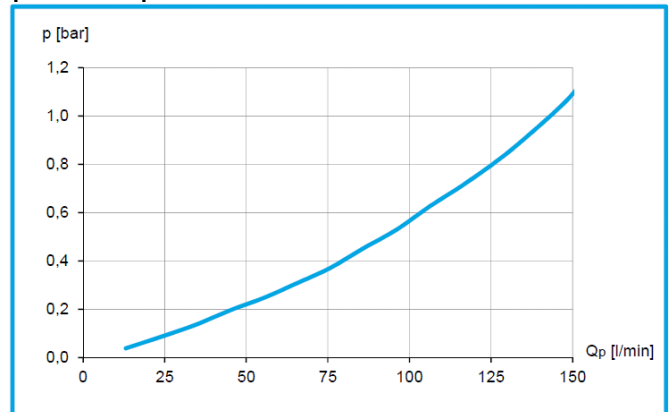
Performance

The performances in this catalogue have been verified on a test bench according to asa test procedures. The parameters and test conditions are equal to competitor and the corresponding asa product.

specific cooling performance



pressure drop at 30cSt



Radiator

material:	aluminium
working temperature range:	-20°C to +100°C (oil temperature)
air fin shape:	wavy
working pressure:	26 bar (static)



This data sheet and the corresponding scale drawings are to be used as a general guideline and technical overview of our products. Please contact us if more exact information is needed. As we are constantly improving our products, their characteristics, dimensions and weights may also change, although we do our best to incorporate these changes continually. asa assumes no liability for any information therein, any errors, omissions, misprints, nor any direct or indirect damages, losses or costs resulting therefrom. Any cooling performances and general technical values indicated in this catalogue are measured at a test bench according to asa testing procedures or calculated, based on such tests. Because there is no standardized testing procedure, tests used by other manufacturers could have different results. Due to different conditions in testing and application environments the cooling performance may also vary by +/- 15%. Therefore we recommend all products to be checked under the system operating conditions. This is also true of vibrations and mechanical stress as well as for pressure peaks and thermal stress and any other relevant factors. General tolerances according to DIN ISO 2768-v, General tolerances for casted parts according to EN ISO 8062-3 (DCTG 10). Tolerances for rubber parts are according to ISO 3302-1 (class M4-F+C). The tolerances of welding seams are defined by quality group D according to EN ISO 10042, if it is not specified on the actual scale drawing or data sheet. In addition to that we point out that any data sheet and corresponding scale drawing is no substitution for the manual.
DD-AS-series-ILLCO0604B00-ILLCO1004B00-en-rev1



**Thermal Systems
Connection Technology
Fluid Controls**

**be different.
make a difference.**



USA

asa hydraulik of America
160 Meister Avenue 20 A
Branchburg, New Jersey 08876
Tel.: +1 800 473 94 00
Tel.: +1 908 541 15 00
sales_us@asahydraulik.com

AUSTRIA

asa hydraulik GmbH
Prager Strasse 280
A-1210, Vienna
Tel.: +43 1 292 40 20
support@asahydraulik.com

CHINA

安飒液压科技（苏州）有限公司
asa Hydraulik Technology (Suzhou) Co.Ltd

江苏省苏州市工业园区方洲路128号6区B幢
Area 6, Building B,
Fangzhou Road No 128,
Suzhou industrial park,
Suzhou City, Jiangsu Province
Tel.: +86 512 62381988
suzhou@asahydraulik.com

AUSTRALIA

asa Products Pty Ltd
Bentley Street 4/15
3016 Williamstown, Victoria
Tel.: +61 3 9397 6129
melbourne@asahydraulik.com

INDIA

ASAhdraulik India Pvt Ltd
C1/109/9, GIDC, Patej, Dt.Bharuch
Gujarat - 392220
Tel.: +91 22 28195557
salesindia@asahydraulik.com